



**TRACKER**

**3200L**

**BERTHOUD<sup>®</sup>**  
*Forward together*

# TRACKER

## Design & equipment

Fluid lines, rounded shape, equipment performance: these are the hallmarks of the TRACKER trailed sprayer. Built on the BERTHOUD's past achievements such as ACTIFLEX axle suspension, stability of AXIALE booms, BERTHOUD pumps, TRACKER has been developed by combining practical and economical aspects.

With a 3200-litre capacity with DP TRONIC, EC TRONIC electronic regulation and DPA mechanical regulation, equipped with ALS and AXIALE booms from 18 to 33 m, TRACKER comes with a wide range of options optimising your comfort, the efficiency of your spraying while taking into account current and future environmental standards.

Choosing TRACKER means opting for a sprayer that strikes the optimal balance between technology and cost.

p. 2-3  
TRACKER: Design & equipment

p. 4-5  
Chassis tank: Stability, flexibility of use, integrated equipment

p. 6  
DP TRONIC and EC TRONIC: electronic regulations via pressure sensor

p. 7  
Operation

p. 8  
Flow of spray mixture

p.9  
Mechanical DPA

p.10  
GPS assistance  
Make the job easier

p. 11  
Functional equipment that makes the difference

p. 12-13  
AXIALE boom, legendary stability

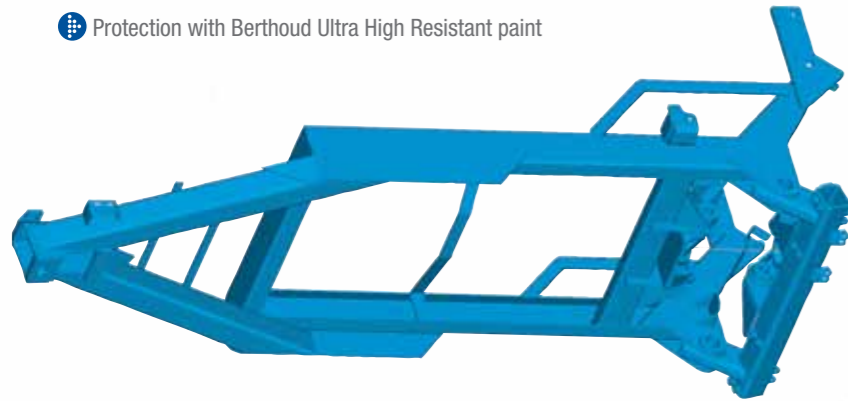
p. 14-15  
Technical characteristics

# Chassis tank

## Stability, flexibility of use, integration of equipment

### Chassis: stability and flexibility of use

- Chassis consisting of two large and widely spaced side rails and a relatively low centre of gravity to optimise the stability of the sprayer on slopes.
- Protection with Berthoud Ultra High Resistant paint



### Stay in control on slopes!

The adjustable boom option allows you to manually correct the sprayer position on slopes.



### The tracking drawbar made in BERTHOUD

Optionally, TRACKER can be fitted with a tracking drawbar. Hitched to the tractor's lift arms, it has maximum stability on flat and sloping terrain. It may also be controlled manually with an automatic reset.

#### Its advantages:

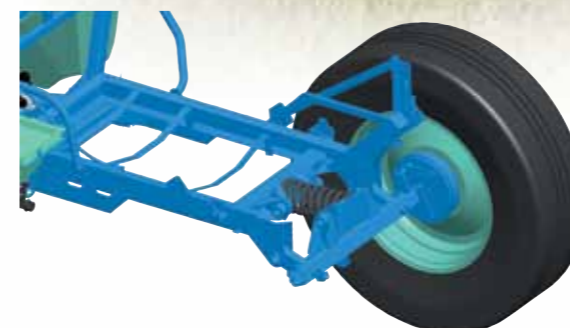
- Monitoring of tractor tracks by drawbar, so no track width restriction
- Hitched to the lift arms: Optimal security regardless of the speed and turning radius
- Can be used in automatic and manual modes

### Optimised distribution of masses on the chassis the tank design

- A high-density polyethylene diamond point tank that optimises the emptying of the tank.
- Limited height of the tank, wider at the bottom to keep the centre of gravity low.
- Sump with suction by lateral pipe = no "siphon" effect = limited bottom residue
- 330l rinsing tank positioned at the front and centre of the chassis for good load distribution and an evenly balanced machine. It can be tilted to access the pump sub-unit

### Main tank

Main tank made of high-density polyethylene with 3200 litre capacity + 5%.



### ACTIFLEX axle suspension

ACTIFLEX is the only suspension on the market with "de-linearised" spring reaction to obtain a variable stiffness depending on the load and the axle forces. It adapts constantly to the load for suspension that is always optimal.



# DP TRONIC & EC TRONIC

## electronic regulations by pressure sensor

**Pressure sensor regulation has several advantages:**

- Improved precision (pressure measurement close to the nozzle and more efficient on smaller volumes)
- Not affected by clogging or blocking
- No calibrated returns
- Low maintenance
- Closing of nozzle/nozzle requires no change in setting



### DP TRONIC monitor

**It is used to:**

- Control spraying and the boom
- Adjust the volume/ha
- Permanently display the 4 main spraying parameters (volume/ha, speed, litres applied, pressure measured)
- Display individual totals which can be stored

### DP TRONIC advantages

- Starting pressure
- Minimum pressure during spraying (pressure threshold)
- Dosage adjustment during application without leaving DPE mode
- May be used with a multi-function joystick for increased working comfort

### EC TRONIC monitor

**It is used to:**

- Permanently display the 4 main spraying parameters (volume/ha, speed, litres applied, pressure measured)
- Traceability (by plot, multi-users, etc.)
- Individually control 15 sections sequentially with the multi-function joystick



### EC TRONIC advantages

- BUS CAN technology
- Large 15 cm colour screen
- PILOT multi-functional, wireless joystick (standard in ED version, optional in SEH): work within a radius of up to 25 m from the central unit to check any blocking of the nozzles, the adjustment of the booms, and the measurement of the nozzle flow rate from outside!



EXCLUSIVE TO BERTHOUD

# Operation



### Choice of gauges

Ribbon gauge (optional)



Float gauge with direct reading as standard

NIVELEC gauge (optional)

- Digital display of the spray mixture level in the tank, in the control console and the cab



NIVOMATIC gauge (optional)

- Programming a filling volume that is stopped with a buzzer sound or stopping the filling
- Conservation of the tape gauge for direct reading

### Operation: Simplicity and good practices

The valve block in the TRACKER range reduces the number of valves and the length of the pipes  
 = Reduced residual volume at the end of application  
 = Easy to operate

The spraying station is fitted with only three valves to manage all the 16 sprayer functions:

- Two-stage valve to manage suction and discharge functions
- Valve for boom rinsing with no returns to the tank
- Agitation modulation valve
- Ease of use
- Increased user comfort
- Functions identified on the Berlogic control panel
- Protection via a side door

### Optional OMEGA pump

Centrifugal twin turbine pump developed by BERTHOUD combining flow rate and pressure:

- > 550 l/min at 3 bar
- > 2 low and high pressure compartments
- > Self-priming pump
- > A spraying pressure of up to 8 bar
- > Associated with the 2-valve Dualmatic valve block

### DILUNET

sequencing of tank bottom dilutions from the control station (optional)

### DILUNET Plus:

rinsing of the tank from the cab (optional)

### DILUNET Plus and boom rinsing with no returns to the tank:

Assurance of not having to come down from the tractor to rinse the sprayer (optional)

Reduced residual volume at the end of the application  
 Easy to control  
 User comfort

# Flow of spray mixture

Make a difference!

# Mechanical DPA

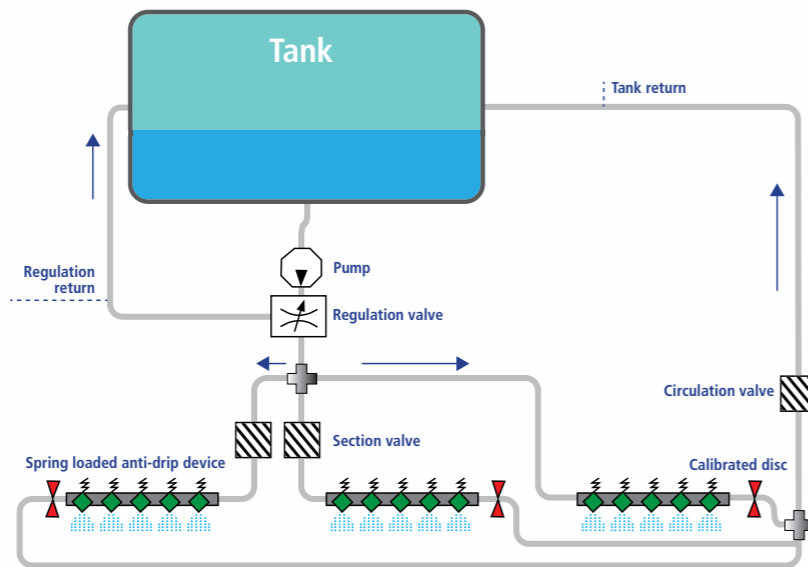
## Discontinuous flow:

The spray mixture flows in the sections only when spraying, no return to the tank at the end of the section. Other types of flows can be fitted on TRACKER.

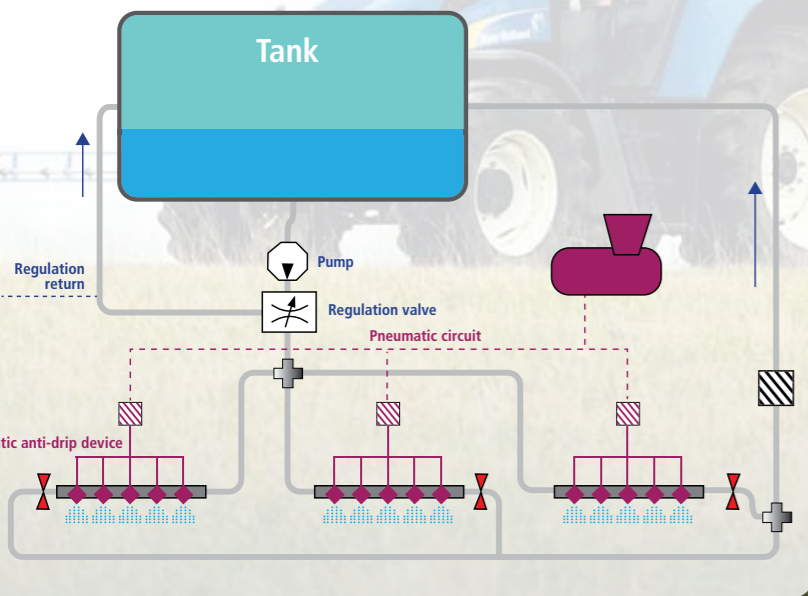
## Semi-continuous flow (optional):

TRACKER can also be fitted with semi-continuous flow. In this system, the liquid circulates continuously during spraying in order to prevent clogging at the end of a section.

This type of circulation is extremely useful when working with powder-based chemicals and in low-volume applications.



## Continuous flow (optional):



This ensures that the spray mixture flows during and after spraying. Based on an AGP (Pneumatic Anti-Drip) system, it provides various advantages:

- Minimises dirt and deposits
- Permanent agitation
- The rinsing water may be used several times by "recirculating" it = less contaminated water to be evacuated
- Rapid start-up
- Instantaneous pneumatic cut-out
- Returns channelled to a single pipe
- Motorised valves to open the flow from the cab
- Benefit from instantaneous priming at low cost thanks to the pneumatic circuit supplied as standard on Tracker

## DPA: the reliability of a "fully mechanical" system

Exclusive to BERTHOUD, the mechanical DPA regulation unit can be fitted on the TRACKER range. VOLUX BERTHOUD dosing pump, driven by the sprayer wheel, will maintain a constant volume/ha constant regardless of the forward speed



## VOLUX pump

Double-acting 3-piston pump, 240l/min or 320l/min, optionally. The pump is driven by a universal joint connected to the sprayer wheel. The pump is switched on by means of an electro-hydraulic control placed on the unit in the cab

### How to adjust the volume/Ha?

Since VOLUX is a volumetric pump, there are two ways to control the volume/ha:

- Adjusting the pump drive speed (two speeds available).
- Adjusting the piston stroke; manually at the pump or from the cab via the TELEVOLUX option.



## TELEVOLUX control

Optionally, TELEVOLUX will allow you to control the volume/ha from the control station thanks to a motor placed on the pump. At the user's request, this motor will adjust the pump displacement.

## BERTHOUD 2000 unit



Optionally, this monitor can be used to alternately display volume/ha applied and forward speed. On demand, it can also display the litres applied, area sprayed



## Simplified operation

400l/min centrifugal pump driven by the tractor's power take-off to perform the following operations:

- Filling
- Agitation
- Rinsing of the tank and the boom

All 16 sprayer functions are controlled with only 2 valves:

- Two-stage valve for suction and discharge
- Valve for filter isolation

# GPS assistance: Make the job easier

**BERTHOUD offers you a number of features to practise precision agriculture**

## E TECH unit: a turnkey solution!

The BERTHOUD regulation units may be fitted with E TECH unit for guidance, section shut-off and dosage adjustment. The console with a 20.3 cm touchscreen allows:

- Guidance.
- Section cut-off using GPS with display of section status.
- Intra-plot dosage adjustment

Upgradeable, you can easily unlock advanced features



# Optional equipment that makes the difference

## BOOM CONTROL: the most efficient system on the market

The BERTHOUD BOOM CONTROL automatic boom height regulation system is available as an option on all of our machines fitted with solenoid valves. The BOOM CONTROL system maintains the boom at a height preset by the user. Two versions are available:



EXCLUSIVE TO BERTHOUD

### Advantages of BOOM CONTROL:

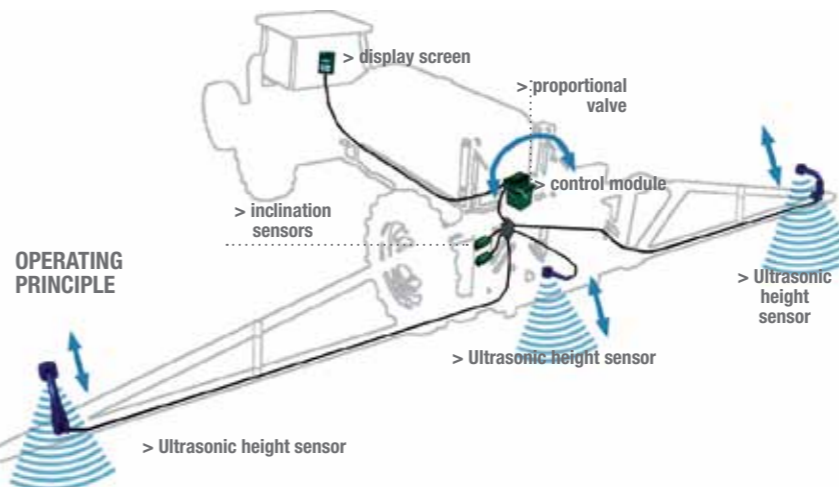
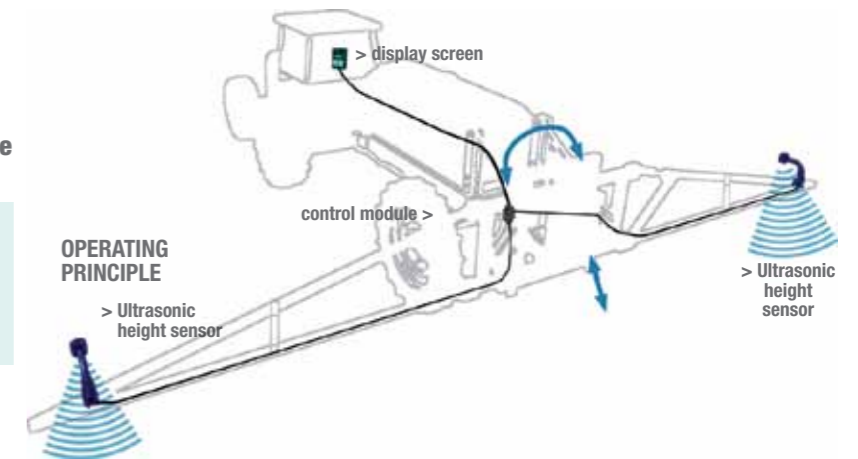
- Working speed of up to 30 km/h
- Soil/Crop Mode
- In TOTAL CONTROL version, there is a proportional hydraulic valve for quick and smooth movements
- Automated headland mode
- Factory fitted or can be added later to the machine

## SLANT CONTROL version

The SLANT CONTROL version allows you to control the height of the boom and the slope automatically.

This version of BOOM CONTROL is designed for:

- sprayers with boom up to 28 m
- sprayers operating in relatively flat ground
- sprayers not fitted with variable geometry



## TOTAL CONTROL version

The TOTAL CONTROL version controls the height, variable geometries, etc.

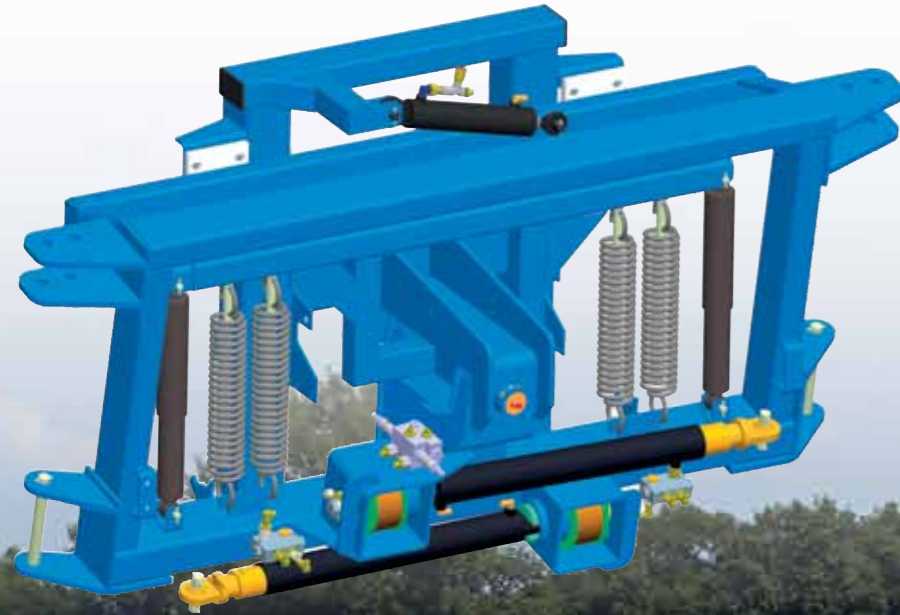
This version of BOOM CONTROL is designed for:

- boom greater than 28 m fitted with variable geometry
- hilly terrain

# AXIALE boom

## Legendary stability

Exceptional vertical stability especially when turning and very good stability on sloped ground thanks to its central pivot suspension. It follows variations in slopes without any action required from the user. Available from 24 to 33 m.



From 30m onwards, Tracker is available with the AXIALE2 boom. Equipped with an independent anti-whip device for each arm. This system reduces horizontal whiplash when accelerating and braking to protect the boom structure.

## built for large-scale farming

Quadrix nozzle holders with front and rear protection.



End arms retractable in all 3 dimensions



Robust hinges, high-performance hydraulic cylinders which operate with the rod retracted when the boom is unfolded.



Vertical damping using nitrogen cylinders on the raising cylinders



### Folding and layout

Axiale with SEH or ED controls



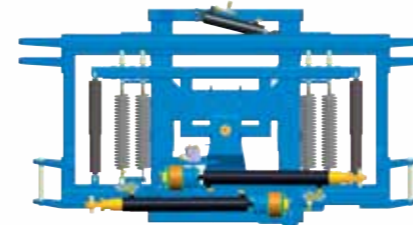
Axiale with ED controls, 3/4 uncoupled folding option



ALS boom: Available in 18, 20, 21 and 24m, it is equipped with an Axiale boom suspension and an L-shaped arm structure

### AXIALE suspension

By design, the ALS boom includes the AXIALE suspension as standard. A BERTHOUD benchmark, it provides legendary stability on flat land, on slopes and bends.



### L-shaped arm structure

In order to optimise the weight/stiffness relationship. Polypropylene spraying pipes – Stainless steel optional



### ALS boom control



Symmetrical unfolding (18/9m, 20/11m, 21/11m, 24/12m) with SEH or ED command

Integral unfolding (0-18, 0.24m, etc.) in tractor control valve version or SEH

Berthoud,  
know-how

TRACKER EQUIPMENT

	TRACKER DPT/ECT	TRACKER "S" DPT/ECT	TRACKER DPA	TRACKER "S" DPA
<b>Chassis</b>				
Fixed drawbar	X	X	X	X
Height-adjustable drawbar	0	0	0	0
Adjustable boom without reset	0	0	0	0
Adjustable boom with reset	0	0	0	0
Tracking drawbar with reset	0	0	0	0
ACTIFLEX axle suspension		X		X
Track width 1.55m to 2.10m (min. track width depending on tyres)	X	X		
Track width 1.60m to 2.10m (min. track width depending on tyres)			X	X
<b>Booms</b>				
ALS 18 - 20 - 21 - 24m	X (only ECT)	X (only ECT)	X	X
AXIALE 24 - 27 - 28m	X	X	X	X
AXIALE 30 - 32 - 33m		X		X
<b>Spraying</b>				
Diaphragm piston pump 280 litres/min	X	X		
OMEGA centrifugal pump 550l/minute	0	0		
Centrifugal pump 400 l/minute			X	X
VOLUX 2-piston pump 240l/minute			X	X
VOLUX 2-piston pump 320l/minute			0	0
BERJUST 2000 unit			0	0
TELEVOLUX unit			0	0
Triple filtration (sieve, filling, backflow)	X	X	X	X
Float gauge	X	X	X	X
Ribbon gauge	0	0	0	0
NIVELEC gauge	0	0	0	0
NIVOMATIC gauge with sound alarm	0	0	0	0
NIVOMATIC gauge with automatic stop	0 (except PM pump)	0 (except PM pump)	0	0
Electric Gate Valves (VEC)	X	X		
Motorised valves (VM)			X	X
Semi-continuous flow	0	0		
Continuous Flow	0	0		
<b>Equipment</b>				
Mixing hopper	0	0	0	0
18l hand wash tank	0	0	0	0
Rinsing tank	330l	330l	330l	330l
DILUNET	0	0	0	0
DILUNET Plus	0	0	0	0
DILUNET Plus + Built-in boom rinse	0 (only ECT)	0 (only ECT)		
Mudguards	0	0	0	0

X	Standard
0	Optional
	Not available

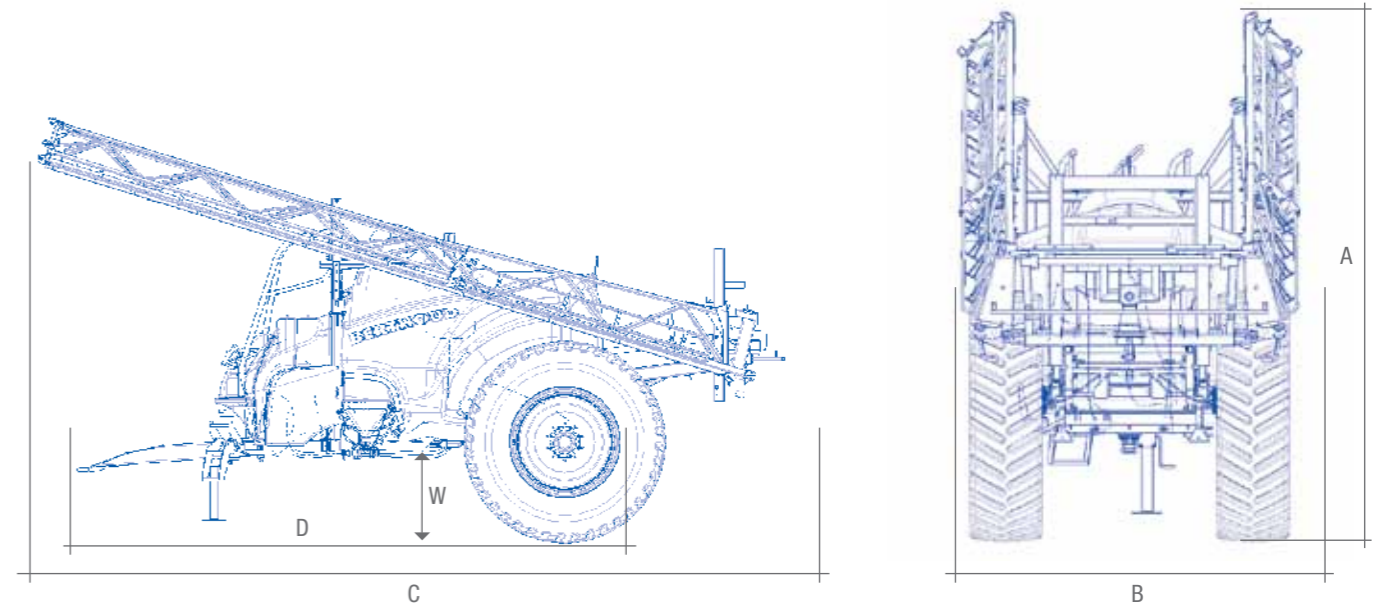
TYRES

TYRE SIZE	TRACKER 32-34			TRACKER 32-34 S			
	ALS	Ax 24/28	Ax 24/28	ALS	Ax 24/28	Ax 24/28	Ax 30/32
	DPT-ECT DPA	DPT-ECT	DPA	DPT-ECT DPA	DPT-ECT	DPA	DPT-ECT DPA
230 / 95 R48 (9.5 x 48)	Standard	Standard		Standard	Standard		
270 / 95 R48 (11.2 x 48)	Optional	Optional	Standard	Optional	Optional	Standard	Standard
300 / 95 R46 (12.4 x 46)	Optional	Optional	Optional	Optional	Optional	Optional	Optional
420 / 85 R38 (16.9 x 38) (min. track width 1.71 m - max. 2.09 m)	Optional	Optional	Optional	Optional	Optional	Optional	Optional
460 / 85 R38 (18.4 x 38) (min. track width 1.71 m - max. 2.09 m)	Optional	Optional	Optional	Optional	Optional	Optional	Optional
340 / 85 R48 (13.6 x 48) * (min. track width 1.60 m) <sup>(1)</sup>					Optional	Optional	Optional
380 / 90 R46 (14.9 x 46) * (min. track width 1.80 m)					Optional	Optional	Optional

(\*) GV option required on Axiale 24 and 28

(1) if Mudguard: Min. track width = 1.90m

DIMENSIONS / WEIGHT



Dimensions in metres		ALS 18	ALS 20	ALS 21	ALS 24	Axiale 24	Axiale 28	Axiale 30	Axiale 32
<b>TRACKER 32-34</b>	A	2.96	2.96	2.96	3.35	3.80	3.95	3.95	3.95
	B	2.55	2.55	2.55	2.55	2.55	2.55	2.55	2.55
	C	6.87	6.87	6.87	6.87	7.36	7.05	8.10	8.10
	D	4.43	4.43	4.43	4.43	4.43	4.43	4.43	4.43
	W	0.75	0.75	0.75	0.75	0.75	0.75	0.75	0.75

Weight (kg)		ALS 18	ALS 20	ALS 21	ALS 24	Axiale 24	Axiale 28	Axiale 30	Axiale 32
<b>TRACKER "NS" 32-34 DPA</b>	Empty weight	2730	2730	2735	2750	3045	3115	3475	3505
	Total GVWR	6330	6330	6335	6350	6835	6905	7265	7295
	Axle GVWR	5100	5100	5105	5115	5460	5520	5805	5830
	Drawbar GVWR	1285	1285	1285	1290	1375	1385	1460	1465

Weight (kg)		ALS 18	ALS 20	ALS 21	ALS 24	Axiale 24	Axiale 28	Axiale 30	Axiale 32
<b>TRACKER "NS" 32-34 DPT</b>	Empty weight	2735	2735	2740	2755	3050	3120	3480	3510
	Total GVWR	6335	6335	6340	6355	6840	6910	7270	7300
	Axle GVWR	5050	5050	5055	5065	5410	5465	5755	5775
	Drawbar GVW	1285	1285	1285	1290	1430	1445	1515	1525

Weight (kg)		ALS 18	ALS 20	ALS 21	ALS 24	Axiale 24	Axiale 28	Axiale 30	Axiale 32
<b>TRACKER "S" 32-34 DPA</b>	Empty weight	2790	2790	2795	2810	3105	3175	3535	3565
	Total GVWR	6390	6390	6395	6410	6895	6965	7325	7355
	Axle GVWR	5160	5165	5165	5180	5520	5580	5865	5890
	Drawbar GVWR	1230	1225	1230	1230	1375	1385	1460	1465

Weight (kg)		ALS 18	ALS 20	ALS 21	ALS 24	Axiale 24	Axiale 28	Axiale 30	Axiale 32
<b>TRACKER "S" 32-34 DPT</b>	Empty weight	2795	2795	2800	2815	3110	3180	3540	3570
	Total GVWR	6395	6395	6400	6415	6900	6970	7330	7360
	Axle GVWR	5110	5110	5115	5125	5470	5525	5815	5835
	Drawbar GVWR	1285	1285	1285	1290	1430	1445	1515	1525



# TRACKER 100% BERTHOUD

**BERTHOUD**, a success story that started in 1895 on the initiative of Paul **BERTHOUD**. In 1987, the brand joined the Exel Industries Group, the world leader in spraying techniques present in the agricultural, industrial and consumer goods fields. **BERTHOUD** generates its turnover through its equipment for Row crops, Vines & Fruit bushes and Orchards.



## Brand advantage

**BERTHOUD** meets all your requirements: mixed-farming breeding, cereal crops, large farms, agricultural contractors (ETA), Cooperatives for the use of agricultural equipment (CUMA), etc. From the simplest machine (mechanical DPA), to **E BERTHOUD SOLUTIONS**, (precision agriculture), all of them enjoy the best resale value on the second-hand market.



## Innovation advantage

**BERTHOUD** designs 100% of its sprayers and over 10% of its employees work on Research and Development. **BERTHOUD** develops its own concepts and holds many patents: ACTIFLEX, etc.



## Network advantage

A special partnership of over 50 years with a network that provides a relay close to your location. 350 dealership technicians are trained every year in our Training Centre.



## Service advantage

Delivery of spare parts in less than 24 hours, service level of close to 99% strengthened by the high availability of our teams on the road and the performance of our After Sales hot line.



© BERTHOUD - photos: berthoud - Document not legally binding - Technical features given for information only  
We reserve the right to modify our models and their features.

85925 AE 12/17



**BERTHOUD**<sup>®</sup>  
*Forward together*

**BERTHOUD agricole – 69220 BELLEVILLE**

Tel: +33 (0)4 74 06 50 50 - Fax: +33 (0)4 74 06 50 77 - [www.berthoud.com](http://www.berthoud.com)

S.A.S. with a capital of €1,155,000 / R.C.S. Villefranche B 515 720 829 / APE 2830-Z